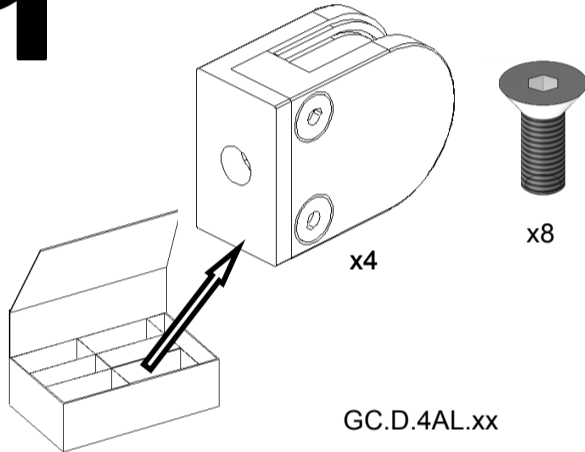
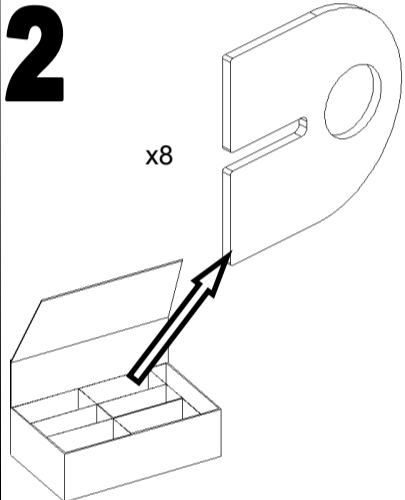
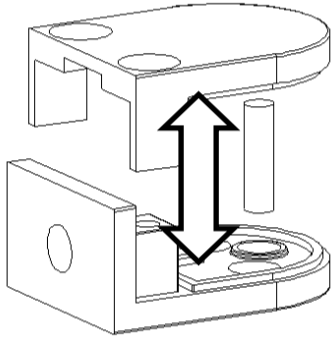

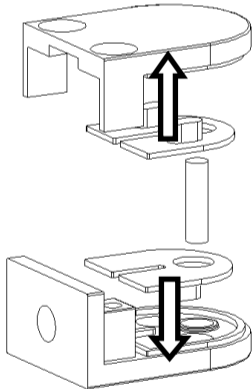
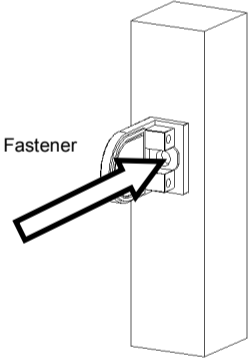
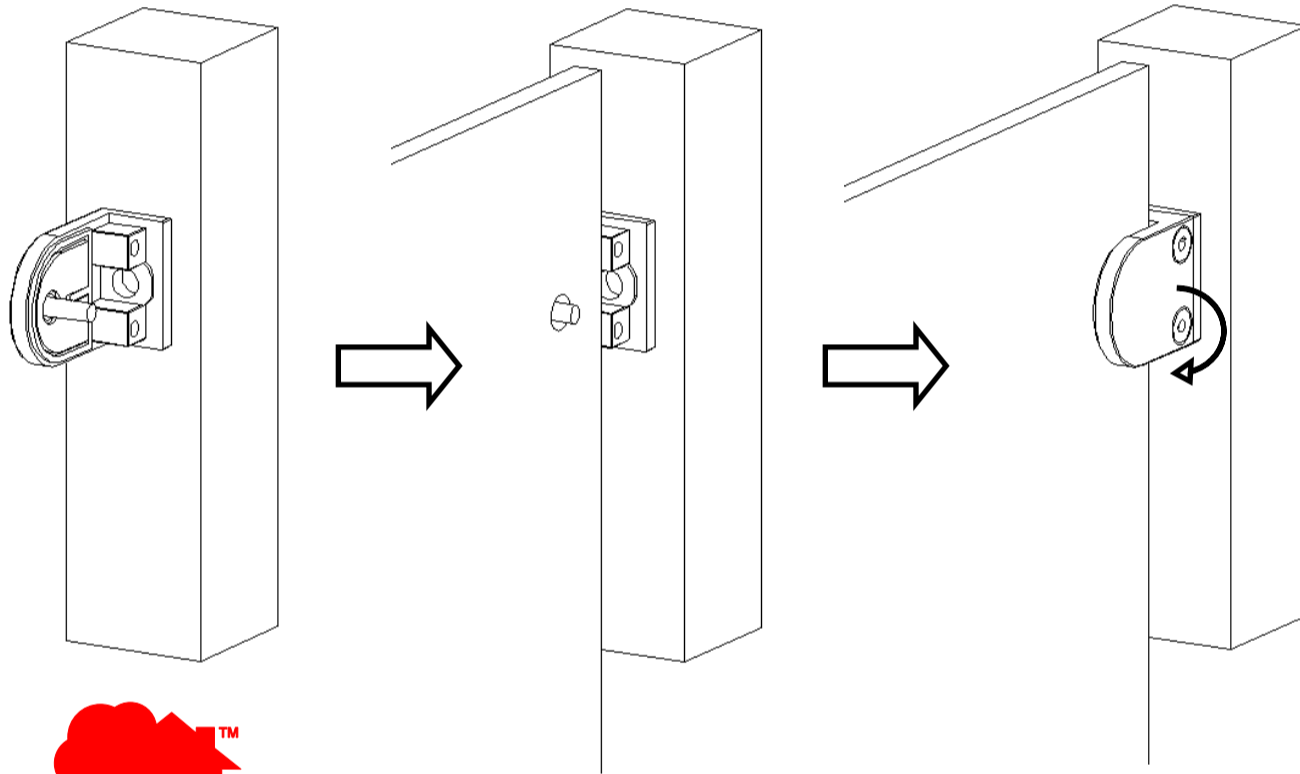


<p>1</p>  <p>GC.D.4AL.xx</p>	<p>2</p>  <p>x8</p>	<p>3 Open the clamp as per the exploded view below.</p> 
<p>Quality Control Approval</p> <hr/> 	<p>4 Insert the gaskets as per image below.</p> 	<p>5 Attach the rear face to the post with the fastener.</p>  <p>Fastener</p>

6



elite
balustrade
systems™

With the clamp attached to the post, insert the glass, ensuring gaskets are intact.

It is advised that any glass used externally has a 12mm hole and the pin applied for additional security. When the glass is inserted then attach the front face and bolts to finish.